

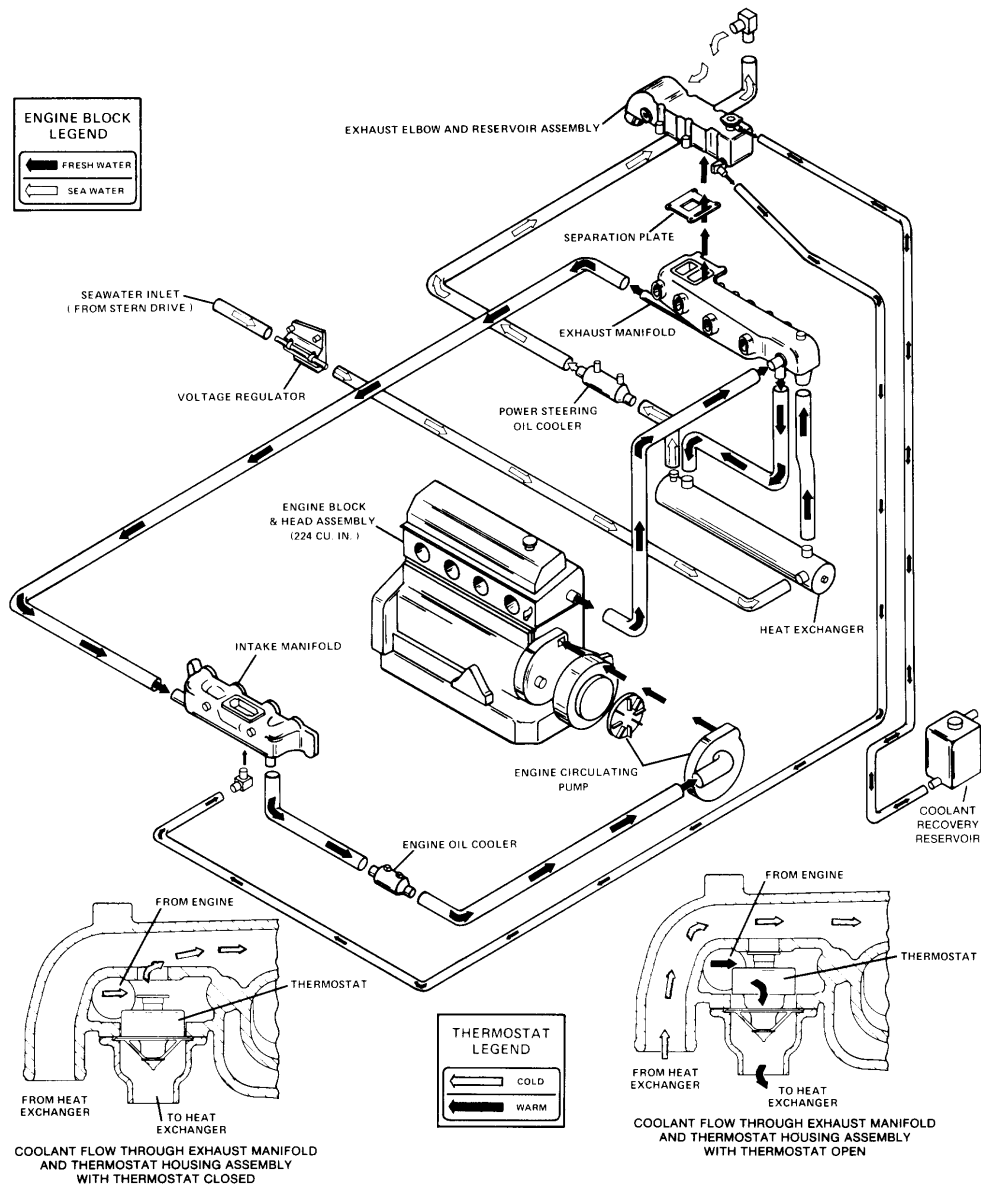
TO: SERVICE MANAGER  TECHNICIANS   
PARTS MANAGER

**No. 81-14**

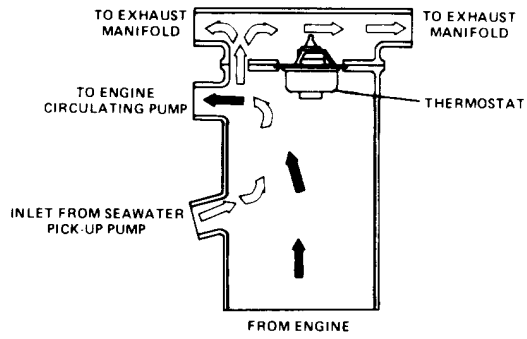
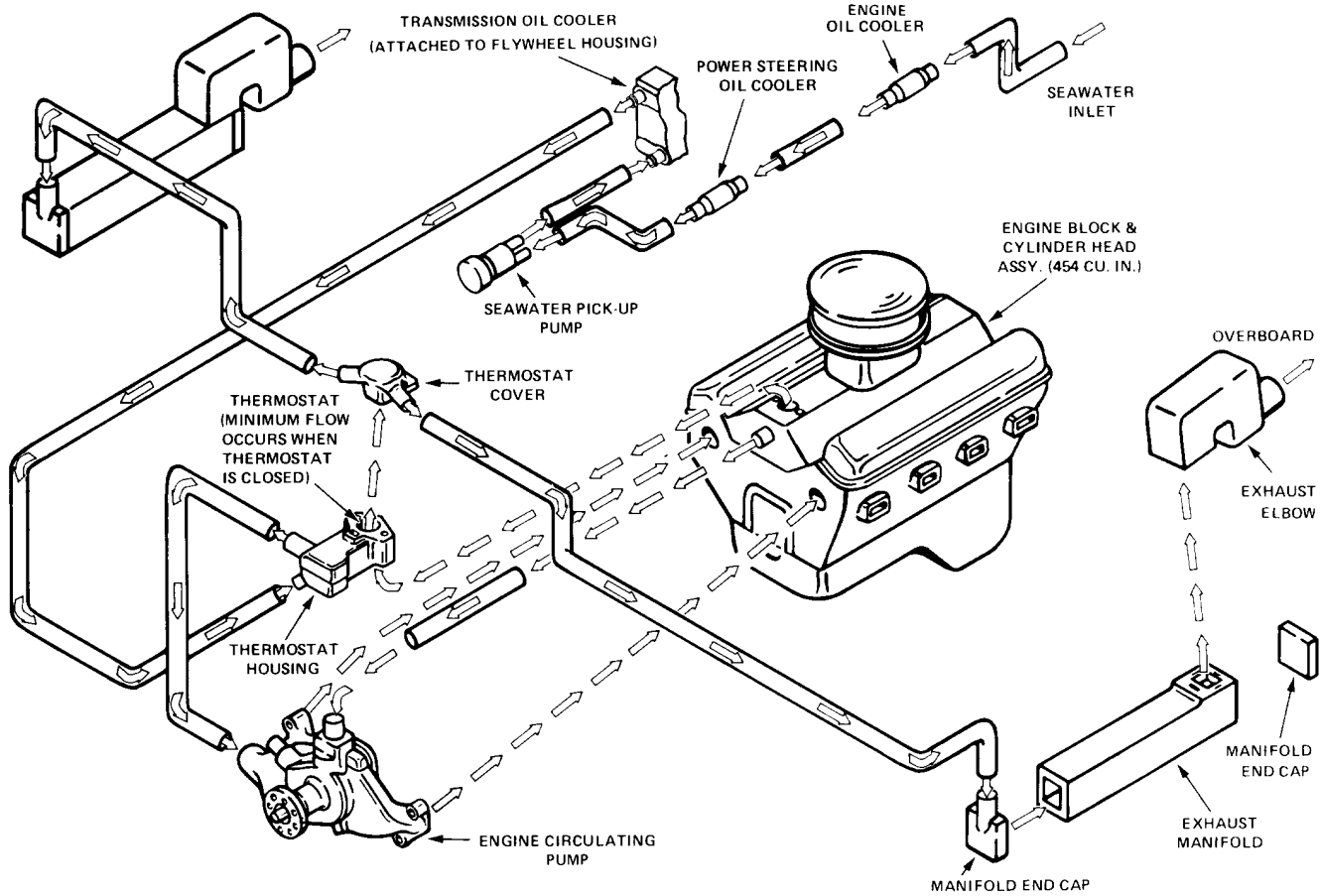
## Water Flow Diagrams

### MCM 485 & MCM 370/400TRS

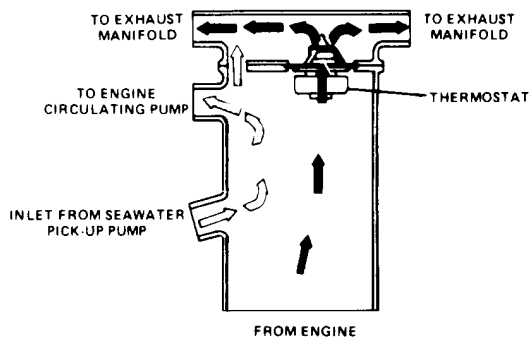
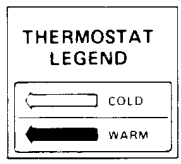
### MIE 470/230/260/340



### MCM 485 COOLING

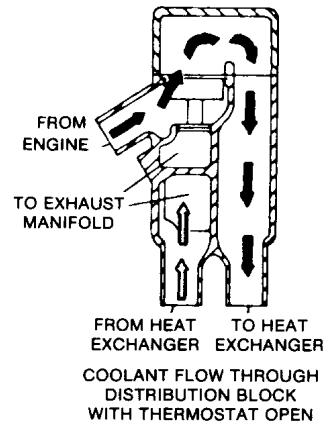
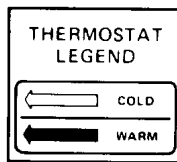
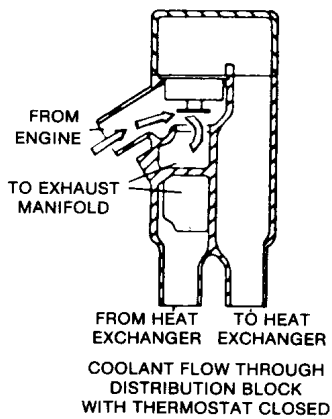
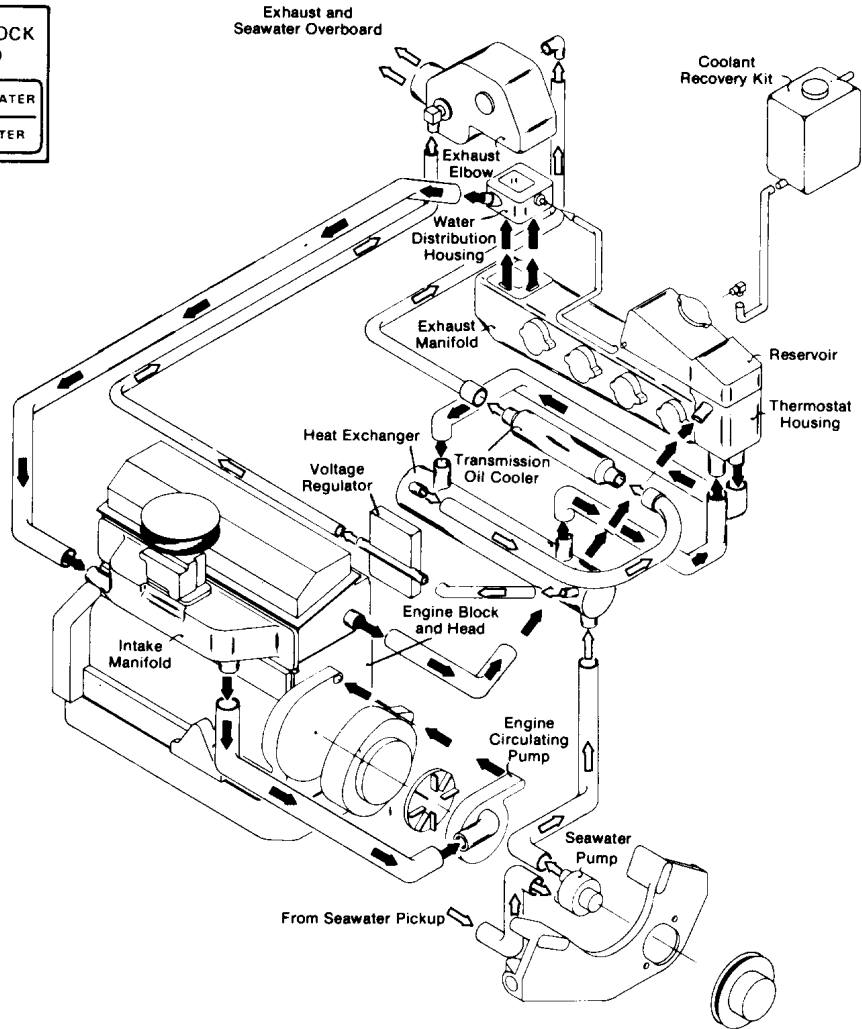
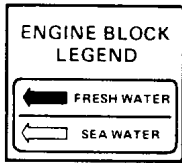


WATER FLOW THROUGH THERMOSTAT HOUSING WITH THERMOSTAT CLOSED

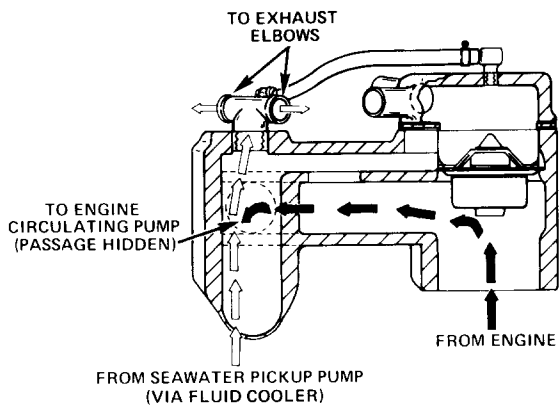
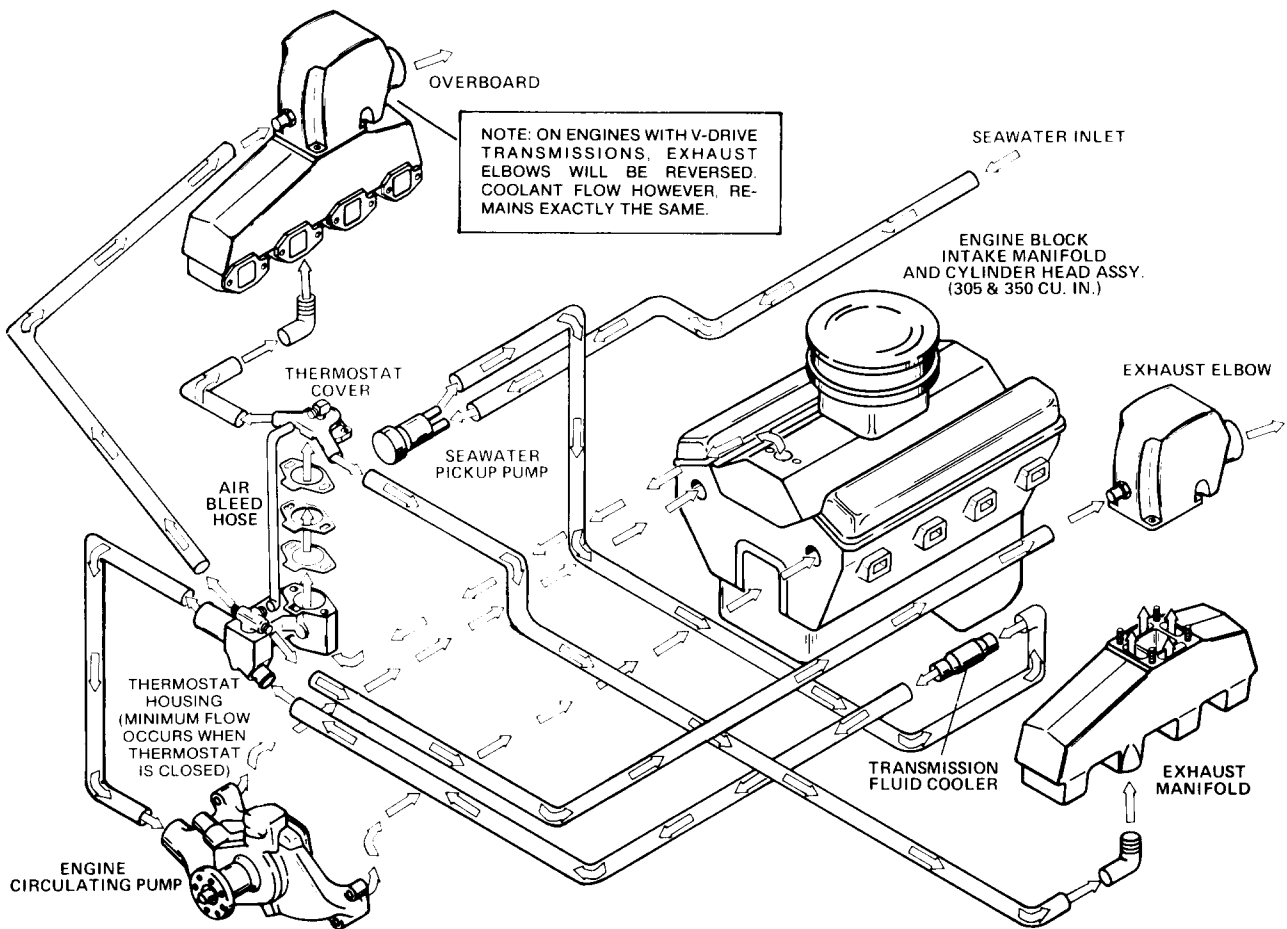


WATER FLOW THROUGH THERMOSTAT HOUSING WITH THERMOSTAT OPEN

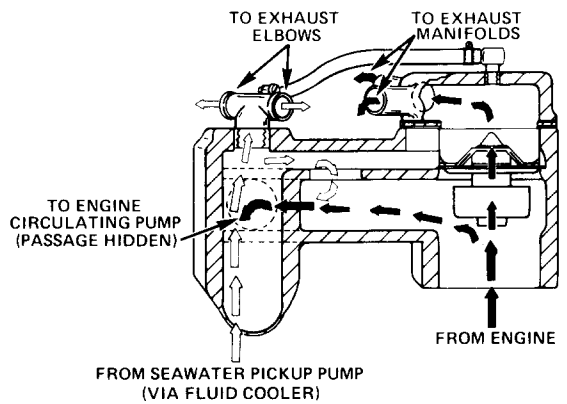
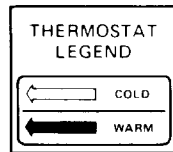
**MCM 370/400TRS STANDARD COOLING**



**MIE 470 COOLING**

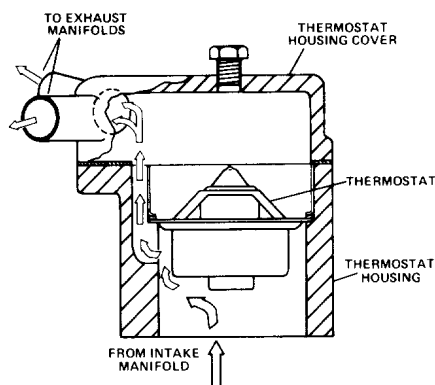
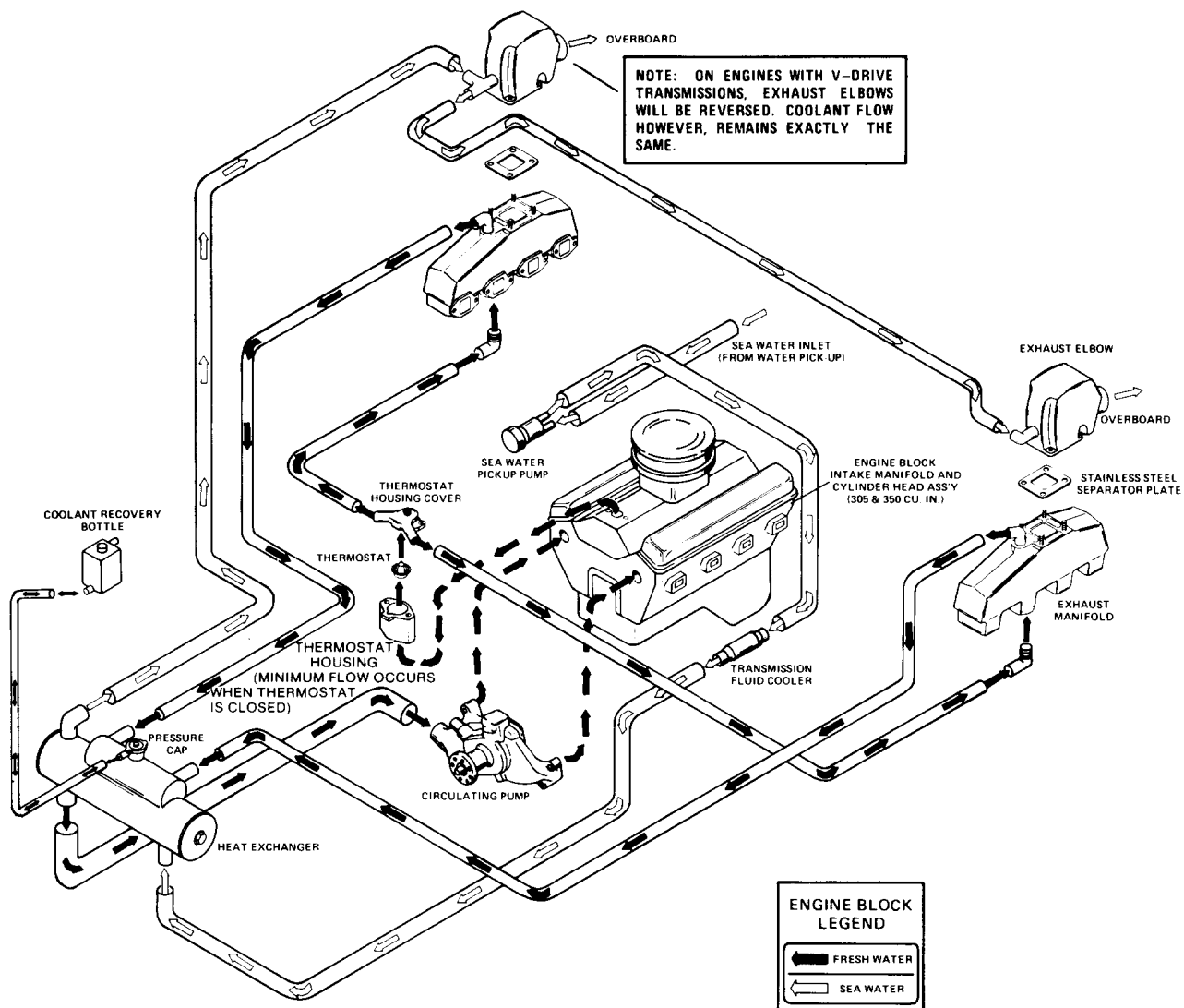


COOLANT FLOW THROUGH THERMOSTAT HOUSING WITH THERMOSTAT CLOSED

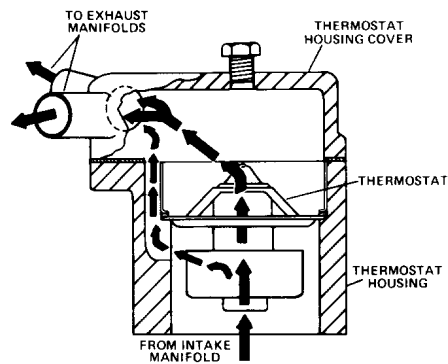
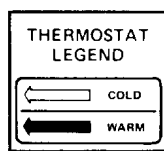


COOLANT FLOW THROUGH THERMOSTAT HOUSING WITH THERMOSTAT OPEN

**MIE 230/260 STANDARD COOLING**

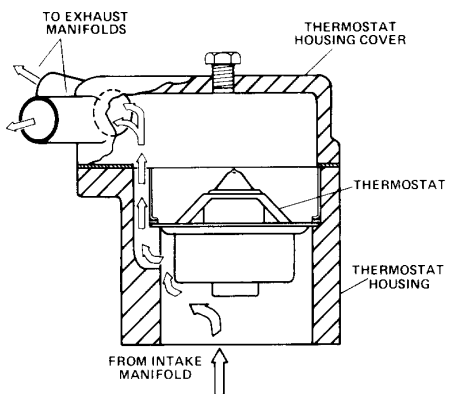
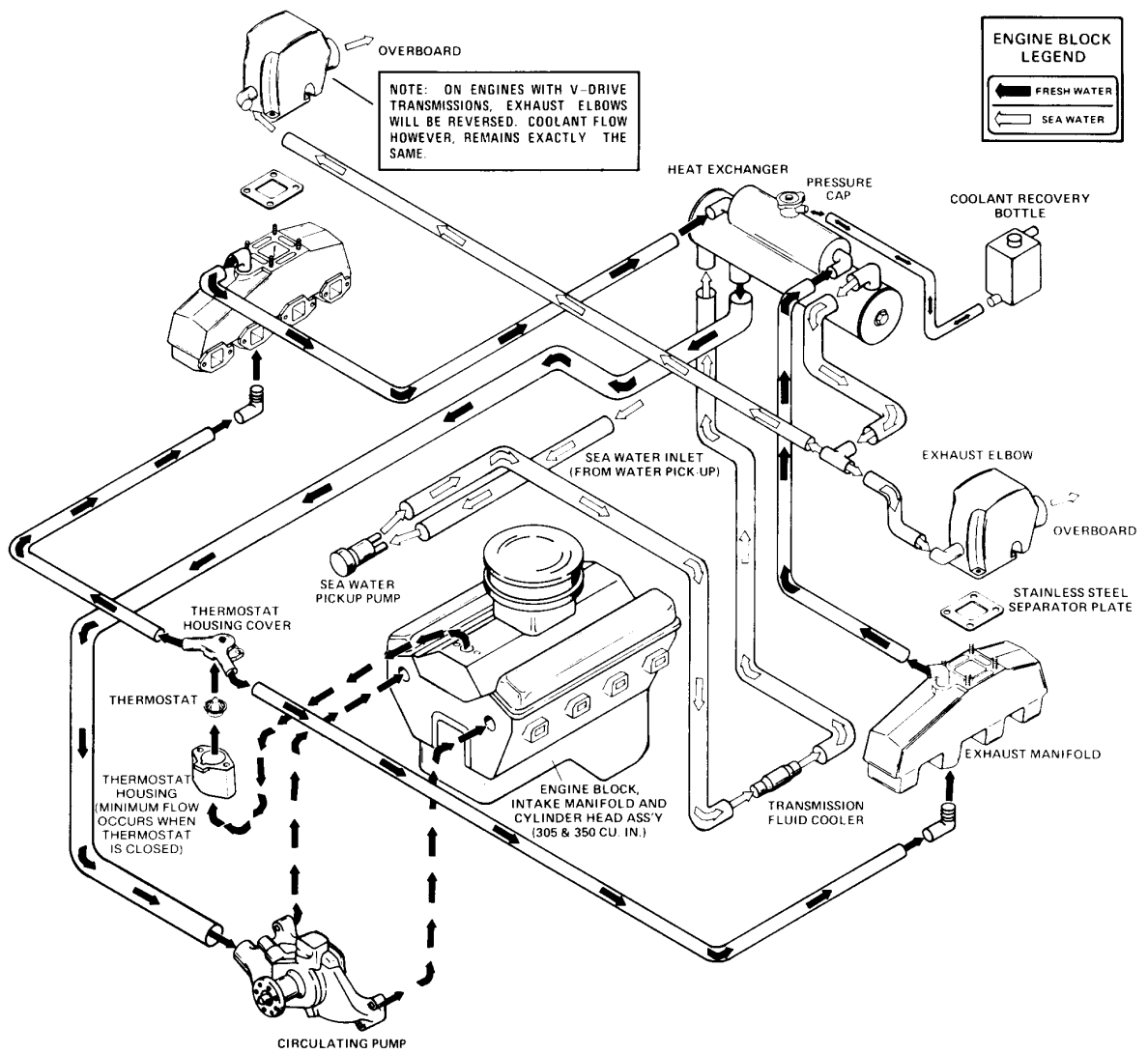


COOLANT FLOW THROUGH THERMOSTAT HOUSING WITH THERMOSTAT CLOSED (ENGINE COLD)

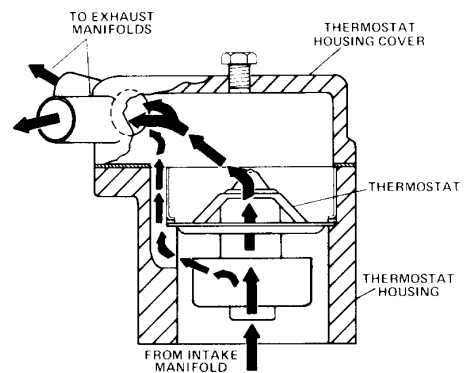
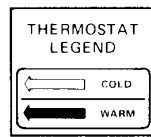


COOLANT FLOW THROUGH THERMOSTAT HOUSING WITH THERMOSTAT OPEN (ENGINE WARM)

**MIE 230/260 CLOSED COOLING (FRONT MOUNTED TANK)**

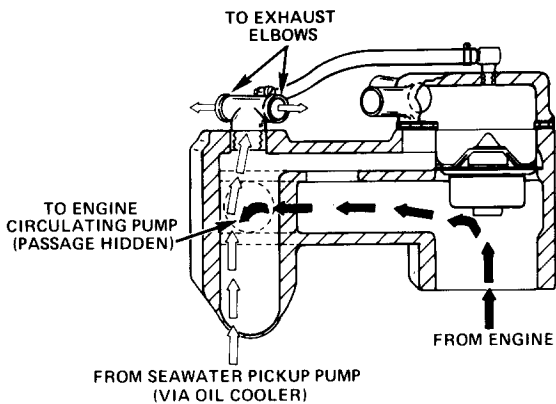
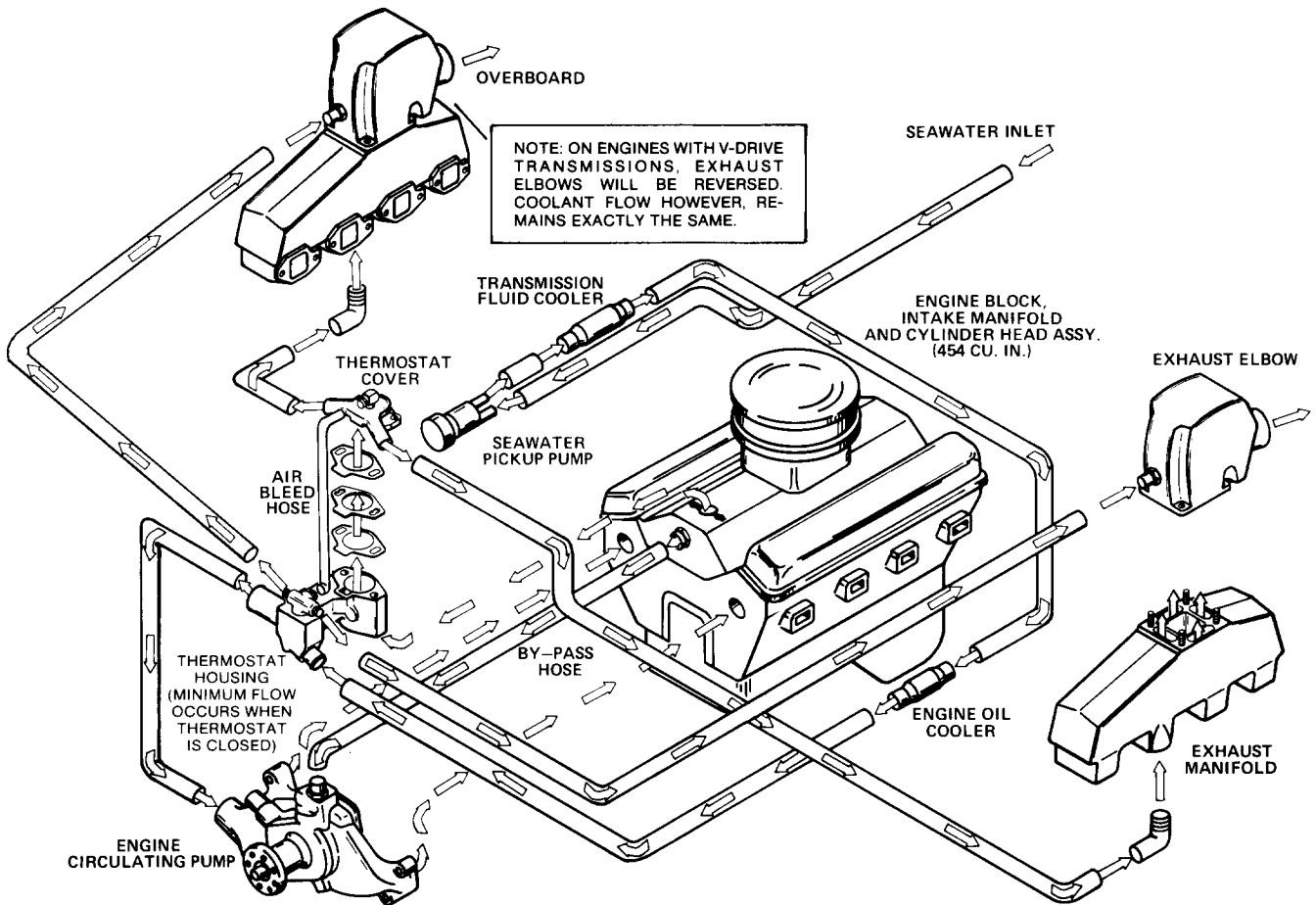


COOLANT FLOW THROUGH THERMOSTAT HOUSING WITH THERMOSTAT CLOSED (ENGINE COLD)

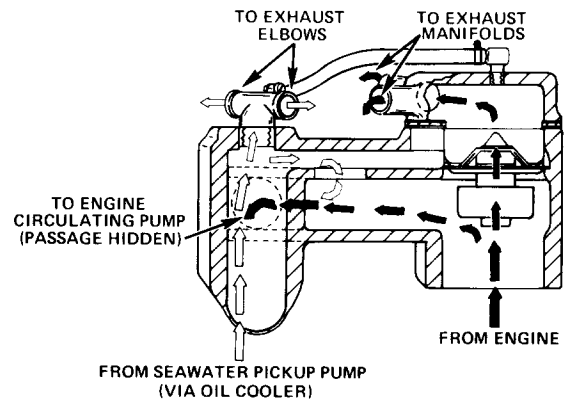
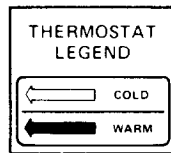


COOLANT FLOW THROUGH THERMOSTAT HOUSING WITH THERMOSTAT OPEN (ENGINE WARM)

**MIE 230/260 CLOSED COOLING (REAR MOUNTED TANK)**

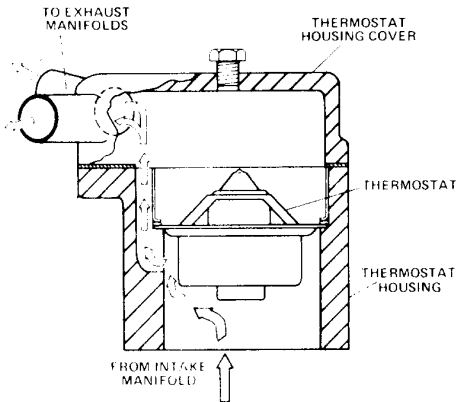
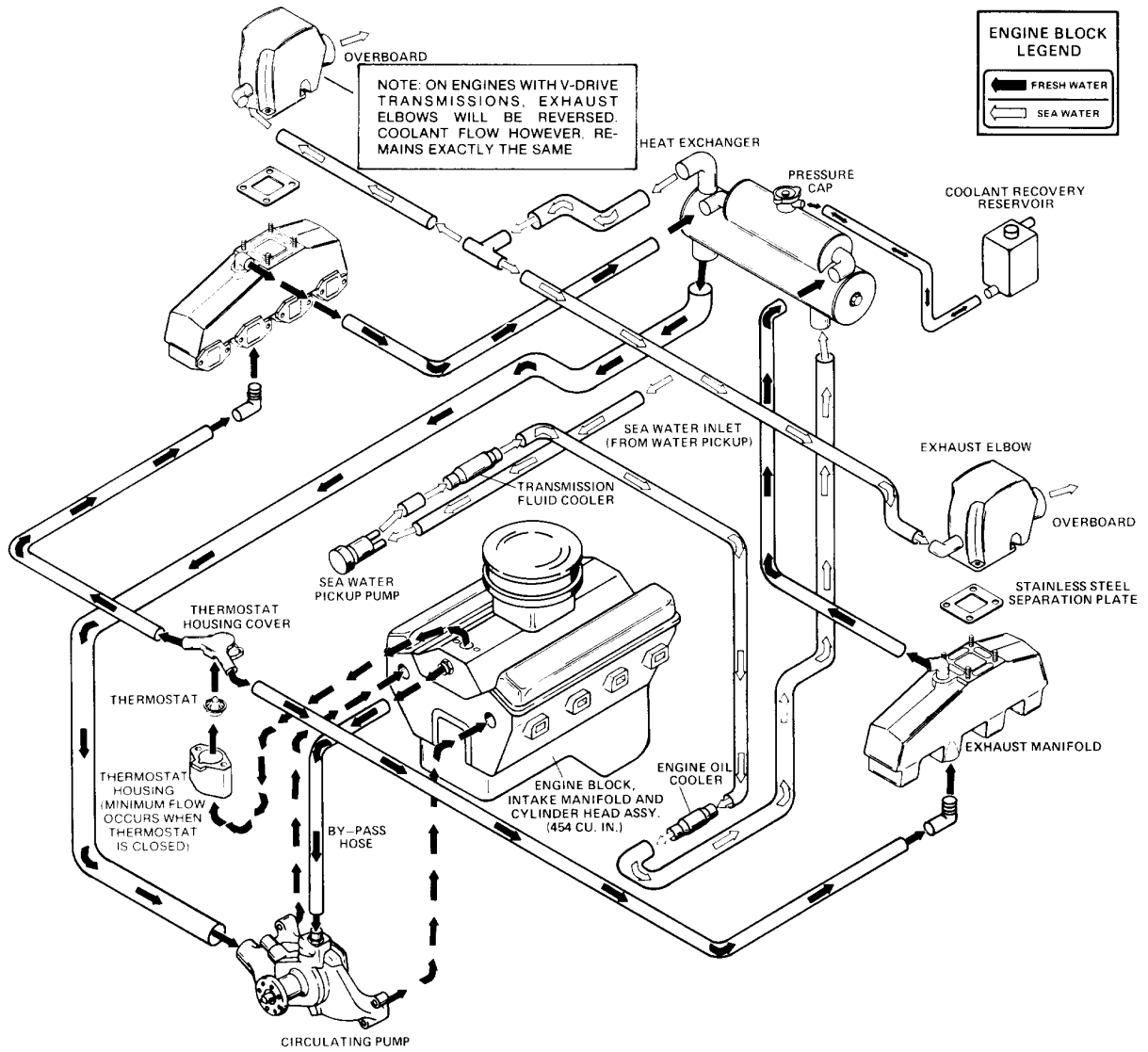


COOLANT FLOW THROUGH THERMOSTAT HOUSING WITH THERMOSTAT CLOSED

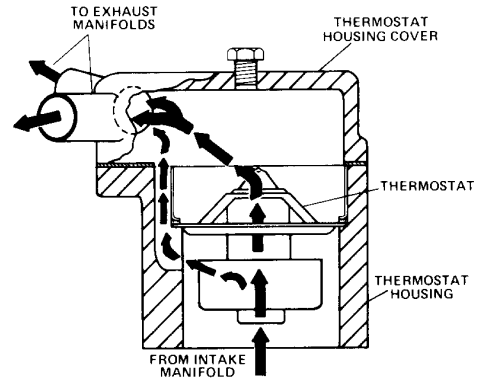
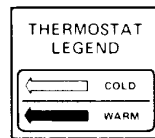


COOLANT FLOW THROUGH THERMOSTAT HOUSING WITH THERMOSTAT OPEN

**MIE 340 STANDARD COOLING**



COOLANT FLOW THROUGH THERMOSTAT HOUSING WITH THERMOSTAT CLOSED (ENGINE COLD)



COOLANT FLOW THROUGH THERMOSTAT HOUSING WITH THERMOSTAT OPEN (ENGINE WARM)

### MIE 340 CLOSED COOLING (REAR MOUNTED TANK)